



wiegand.waterrides GmbH

WE CREATE EMOTION

| | | |
|--|--|-----------|
| FRP | | |
| V4A | | |
| Capacity (theoretical, maximum)/h | | 360/h |
| Water quantity m³/h | | 320 m³/h |
| Level of difficulty | | difficult |
| Body slide | | |
| 1 person raft slide | | |
| 2 person raft slide | | |
| 3 person raft slide | | |
| 4 person raft slide | | |
| Safety systems / time | | |
| Safety systems / sensor system | | |
| Safety systems / turnstile | | |
| Uphill section <small>Per up-hill section an additional water quantity of 370-400m³/h is required</small> | | |
| Acrylic sections | | |

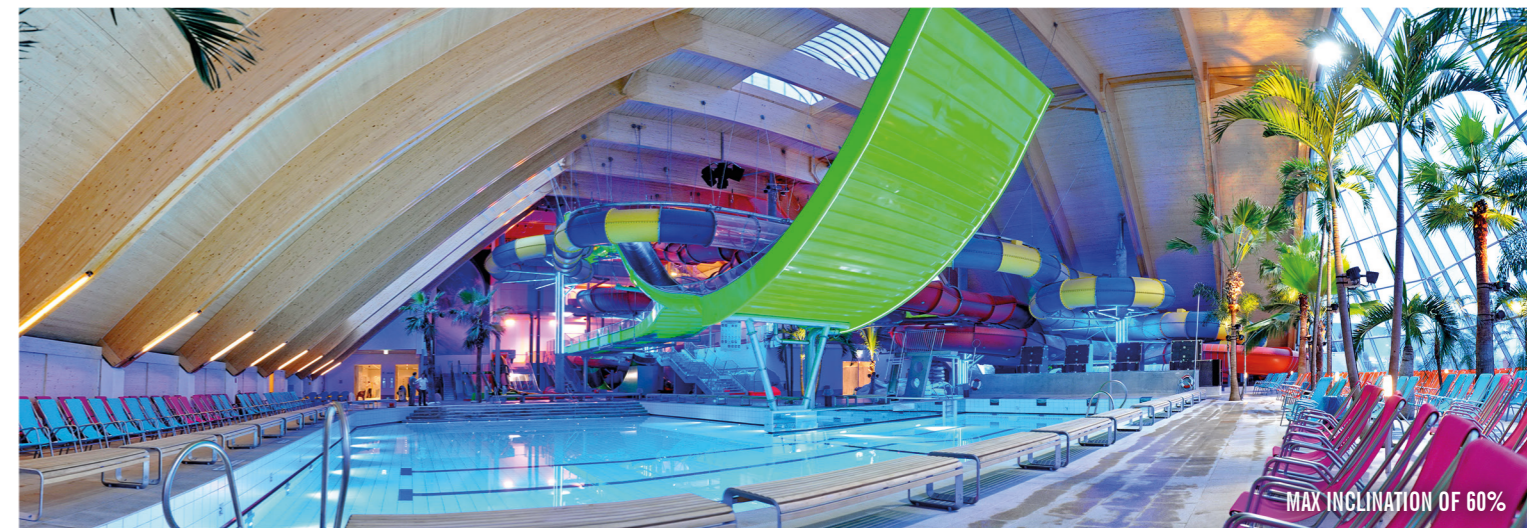
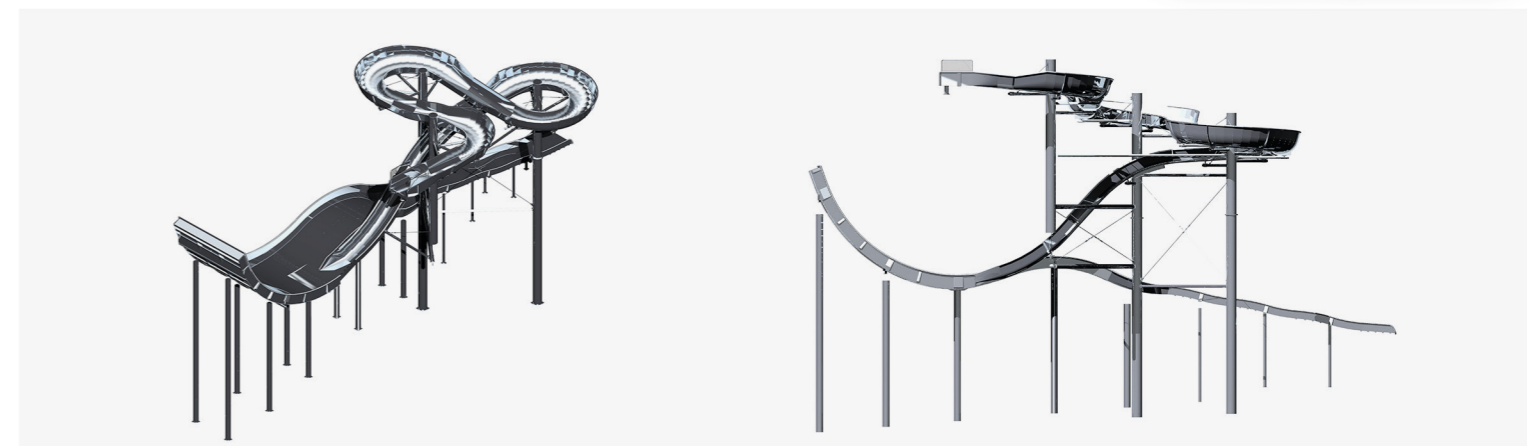
WIEGAND.WATERRIDES GMBH

BOOMERANG

Let's rock that half-pipe! Swap your skateboard for single or double raft and experience our giant water half-pipe. The Boomerang starts with the rider accelerating down the start until full speed is achieved. Once they reach the highest point of the ride, there is a moment of weightlessness before going down a slope towards the landing pool. The start of this extraordinary slide is equipped with traffic light sensor technology that ensures the highest degree of safety at maximum capacity. Manufactured entirely of stainless steel, the Boomerang is suitable for indoor as well as outdoor projects and it can be delivered in all sizes. Only we offer a complete covering for the entire Boomerang in order to allow you to use it outdoors all year long.



SPECIFIC SIZES, FORMS AND RAL-COLORS



MAX INCLINATION OF 60%



All values are guidelines – changes may occur after planning and approval by technical services